

# QuickDraw® BOILER WATER DOUBLE-WALL PACKAGED WATER HEATER with AquaPLEX® STORAGE TANK

## TANK SERIES 600 GALLON

MODEL NUMBER	STANDARD RECOVERY RATE	STANDARD BOILER WATER FLOW	A COLD INLET NPT	B HOT OUTLET NPT	C BOILER WATER INLET NPT	D BOILER WATER OUTLET NPT	E COWLING DEPTH	F SKID LENGTH	G OVERALL DEPTH	H PULL SPACE	SHIPPING WEIGHT LBS
	40°F - 140°F	180°F (20°ΔT)									
250 L 600A-QWD	130	11	2	3	3/4	3/4	61	54-1/2	88	34	1910
500 L 600A-QWD	240	20	2	3	1	1	61	54-1/2	88	58	1920
700 L 600A-QWD	340	29	2	3	1-1/4	1-1/4	61	54-1/2	88	40	1960
900 L 600A-QWD	440	38	2	3	1-1/4	1-1/4	61	54-1/2	88	40	2000
1300 L 600A-QWD	620	53	2	3	1-1/2	1-1/2	61	54-1/2	89	40	2080
1900 L 600A-QWD	950	80	2-1/2	3	2	2	61	54-1/2	89	40	2220
2200 L 600A-QWD	1090	92	2-1/2	3	2	2	61	54-1/2	89	40	2260
2800 L 600A-QWD	1430	122	2-1/2	3	2-1/2	2-1/2	61	54-1/2	96	40	2300
3400 L 600A-QWD	1620	138	2-1/2	3	2-1/2	2-1/2	61	54-1/2	96	40	2500
4200 L 600A-QWD	2100	179	2-1/2	3	3	3	61	54-1/2	96	58	2580
5400 L 600A-QWD	2620	222	2-1/2	3	4	4	61	54-1/2	96	52	2690
6100 L 600A-QWD	2930	249	2-1/2	3	4	4	61	54-1/2	96	46	2850
6900 L 600A-QWD	3370	286	2-1/2	3	4	4	61	54-1/2	96	52	2930
	gph	gpm									

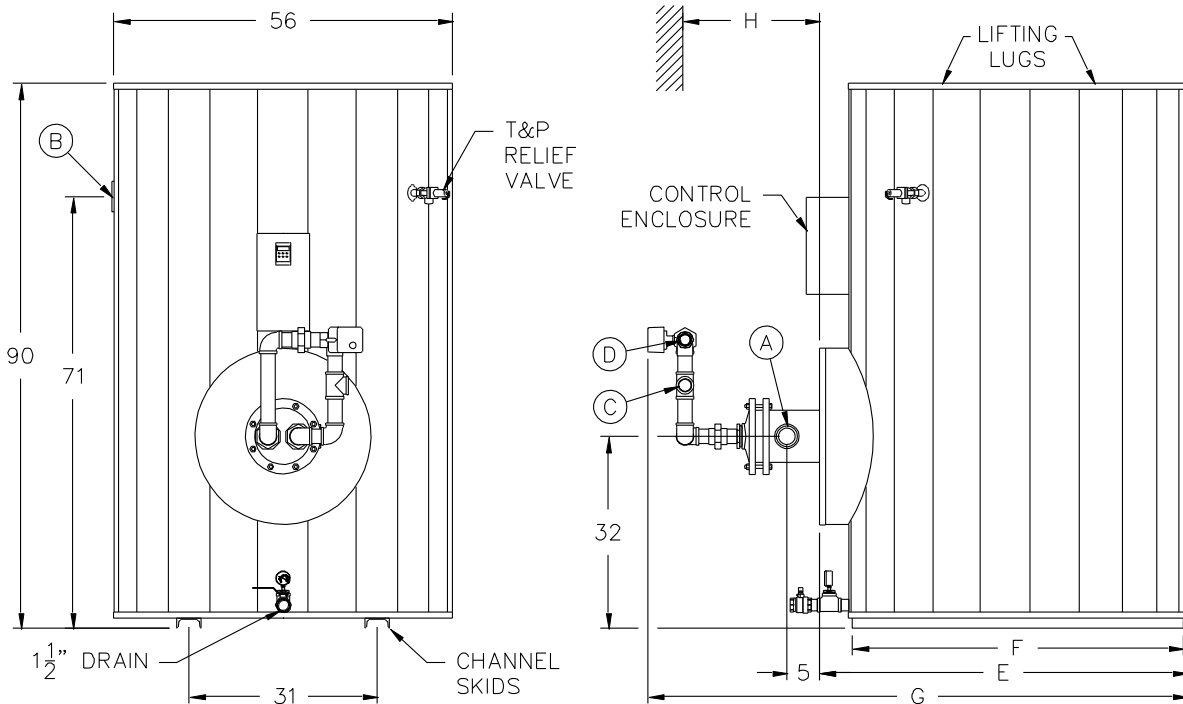
\* For recoveries, boiler water flows and valve sizes at different boiler water temperatures and temperature rises, refer to forms PV 6910.

Electrical requirements: 120V, 1Ø, 60 Hz., 15 amps maximum, to a single point connection.

When using 4" boiler water valve, the supply and return piping is to be field supplied and installed.

Dimensions are in inches unless otherwise noted.

For standard and optional equipment, see form PV 8163.



PVI RESERVES THE RIGHT TO CHANGE THE DESIGN AND SPECIFICATION WITHOUT NOTICE.



**PVI**  
A WATTS Brand

PVI Industries, LLC  
Fort Worth, TX • (800) 784-8326 • www.pvi.com