

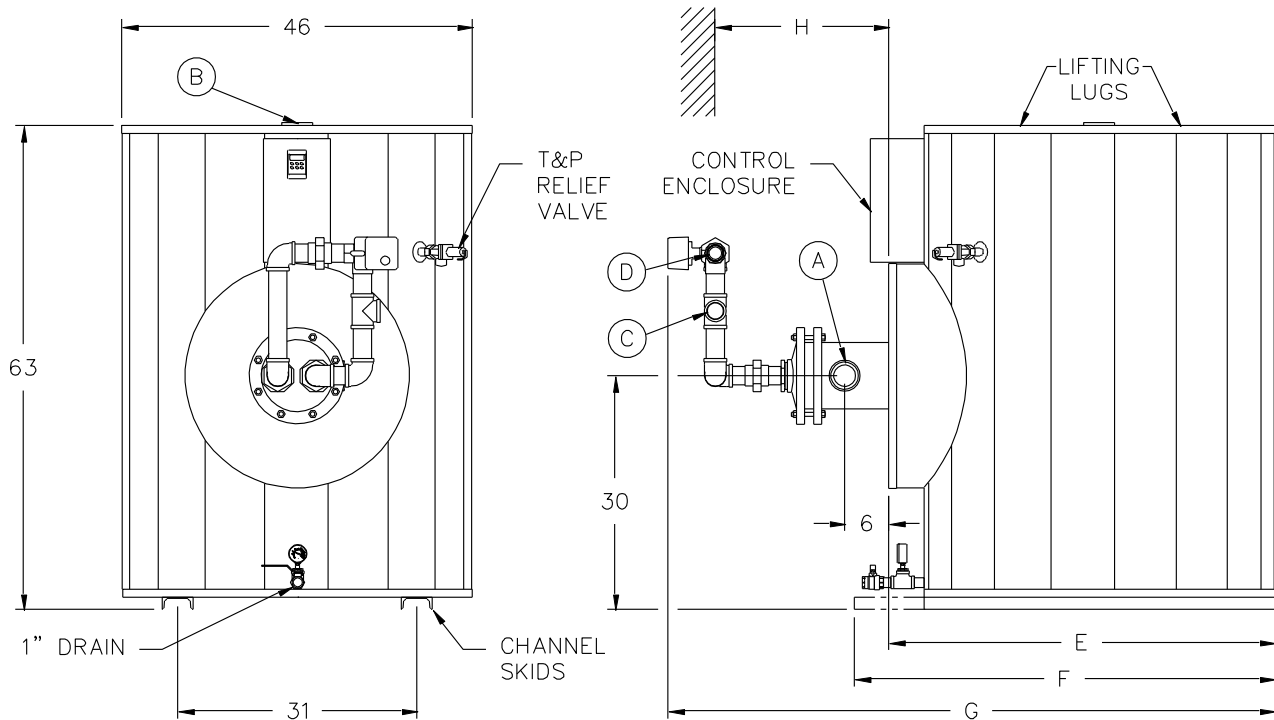
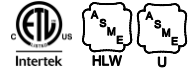
QuickDraw® BOILER WATER SINGLE-WALL PACKAGED WATER HEATER with AquaPLEX® STORAGE TANK

TANK SERIES 250 GALLON

MODEL NUMBER	STANDARD RECOVERY RATE	STANDARD BOILER WATER FLOW	A COLD INLET NPT	B HOT OUTLET NPT	C BOILER WATER INLET NPT	D BOILER WATER OUTLET NPT	E COWLING DEPTH	F SKID LENGTH	G OVERALL DEPTH	H PULL SPACE	SHIPPING WEIGHT LBS
	40°F - 140°F	180°F (20°ΔT)									
300 L 250A-QW	140	12	2	2	3/4	3/4	50	46	77	34	1180
600 L 250A-QW	270	23	2	2	1	1	62	54-1/2	89	58	1190
800 L 250A-QW	380	32	2	2	1-1/4	1-1/4	50	46	77	46	1230
1100 L 250A-QW	510	43	2	2	1-1/4	1-1/4	62	54-1/2	89	58	1240
1500 L 250A-QW	690	58	2	2	1-1/2	1-1/2	50	46	78	46	1320
2000 L 250A-QW	950	80	2	2	2	2	62	54-1/2	90	58	1340
2300 L 250A-QW	1020	87	2-1/2	2	2	2	50	46	78	40	1420
2600 L 250A-QW	1200	102	2-1/2	2	2-1/2	2-1/2	50	46	85	46	1430
3000 L 250A-QW	1420	120	2-1/2	2	2-1/2	2-1/2	62	54-1/2	97	52	1520
3500 L 250A-QW	1630	138	2-1/2	2	2-1/2	2-1/2	62	54-1/2	97	58	1530
4000 L 250A-QW	1790	152	2-1/2	2	3	3	50	46	85	46	1610
4300 L 250A-QW	2110	179	2-1/2	2	3	3	62	54-1/2	97	52	1640
4500 L 250A-QW	2390	203	2-1/2	2	3	3	62	54-1/2	97	58	1660
6300 L 250A-QW	2960	251	2-1/2	2	4	4	62	54-1/2	97	52	1750
8200 L 250A-QW	3800	322	2-1/2	2	4	4	62	54-1/2	97	52	1920
	gph	gpm									

* For recoveries, boiler water flows and valve sizes at different boiler water temperatures and temperature rises, refer to forms PV 6909.

Electrical requirements: 120V, 1Ø, 60 Hz., 15 amps maximum, to a single point connection.
When using 4" boiler water valve, the supply and return piping is to be field supplied and installed.
Dimensions are in inches unless otherwise noted.
For standard and optional equipment, see form PV 8163.



PVI RESERVES THE RIGHT TO CHANGE THE DESIGN AND SPECIFICATION WITHOUT NOTICE.

