

QuickDraw® BOILER WATER SINGLE-WALL PACKAGED WATER HEATER with AquaPLEX® STORAGE TANK

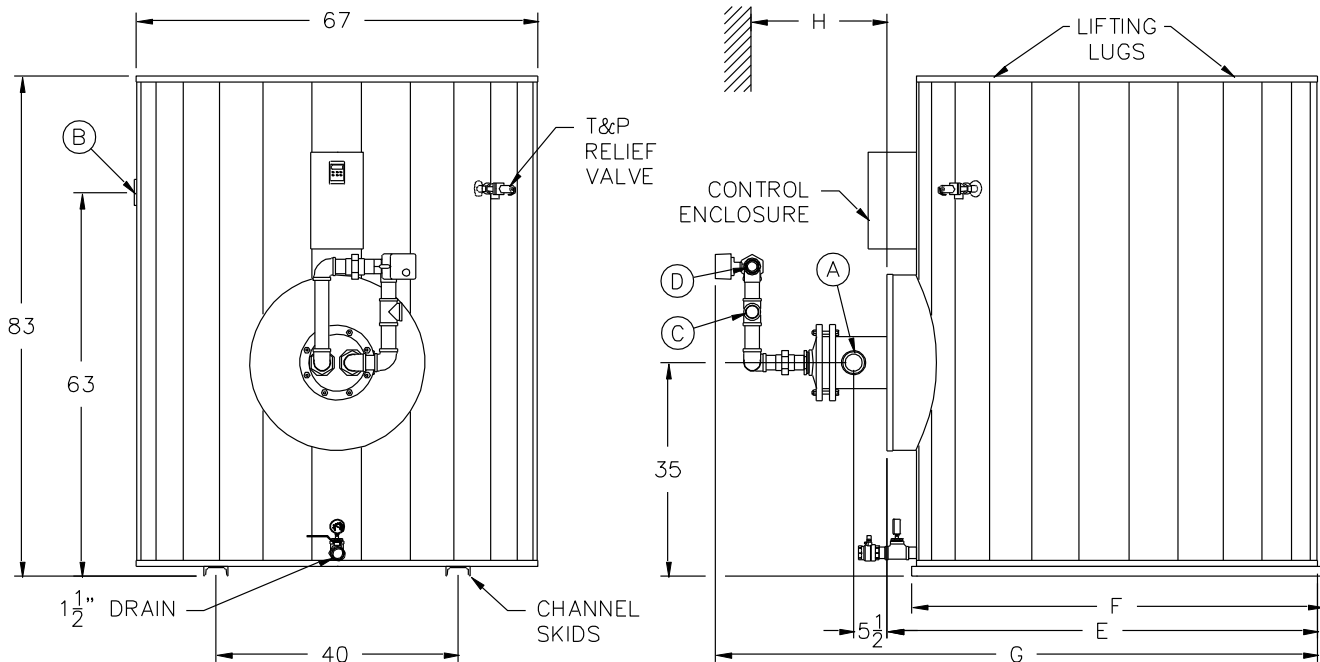
TANK SERIES 750 GALLON

MODEL NUMBER	STANDARD RECOVERY RATE	STANDARD BOILER WATER FLOW	A COLD INLET NPT	B HOT OUTLET NPT	C BOILER WATER INLET NPT	D BOILER WATER OUTLET NPT	E COWLING DEPTH	F SKID LENGTH	G OVERALL DEPTH	H PULL SPACE	SHIPPING WEIGHT LBS
	40°F - 140°F	180°F (20°ΔT)									
300 L 750A-QW	140	12	2	3	3/4	3/4	71	68	98	34	2030
600 L 750A-QW	270	23	2	3	1	1	71	68	98	58	2040
800 L 750A-QW	380	32	2	3	1-1/4	1-1/4	71	68	98	46	2080
1100 L 750A-QW	510	43	2	3	1-1/4	1-1/4	71	68	98	58	2090
1500 L 750A-QW	690	58	2	3	1-1/2	1-1/2	71	68	99	46	2180
2000 L 750A-QW	950	80	2	3	2	2	71	68	99	58	2200
2300 L 750A-QW	1020	87	2-1/2	3	2	2	71	68	99	40	2270
2600 L 750A-QW	1200	102	2-1/2	3	2-1/2	2-1/2	71	68	106	46	2280
3000 L 750A-QW	1420	120	2-1/2	3	2-1/2	2-1/2	71	68	106	52	2370
3500 L 750A-QW	1630	138	2-1/2	3	2-1/2	2-1/2	71	68	106	58	2380
4000 L 750A-QW	1790	152	2-1/2	3	3	3	71	68	106	46	2460
4300 L 750A-QW	2110	179	2-1/2	3	3	3	71	68	106	52	2490
4500 L 750A-QW	2390	203	2-1/2	3	3	3	71	68	106	58	2510
6300 L 750A-QW	2960	251	2-1/2	3	4	4	71	68	106	52	2600
8200 L 750A-QW	3800	322	2-1/2	3	4	4	71	68	106	52	2770
	gph	gpm									

* For recoveries, boiler water flows and valve sizes at different boiler water temperatures and temperature rises, refer to forms PV 6909.



Electrical requirements: 120V, 1Ø, 60 Hz., 15 amps maximum, to a single point connection.
When using 4" boiler water valve, the supply and return piping is to be field supplied and installed.
Dimensions are in inches unless otherwise noted.
For standard and optional equipment, see form PV 8163.



PVI RESERVES THE RIGHT TO CHANGE THE DESIGN AND SPECIFICATION WITHOUT NOTICE.

