

TURBOPOWER® 96 CONDENSING GAS WATER HEATERS

AquaPLEX® Storage Tank (duplex stainless steel)

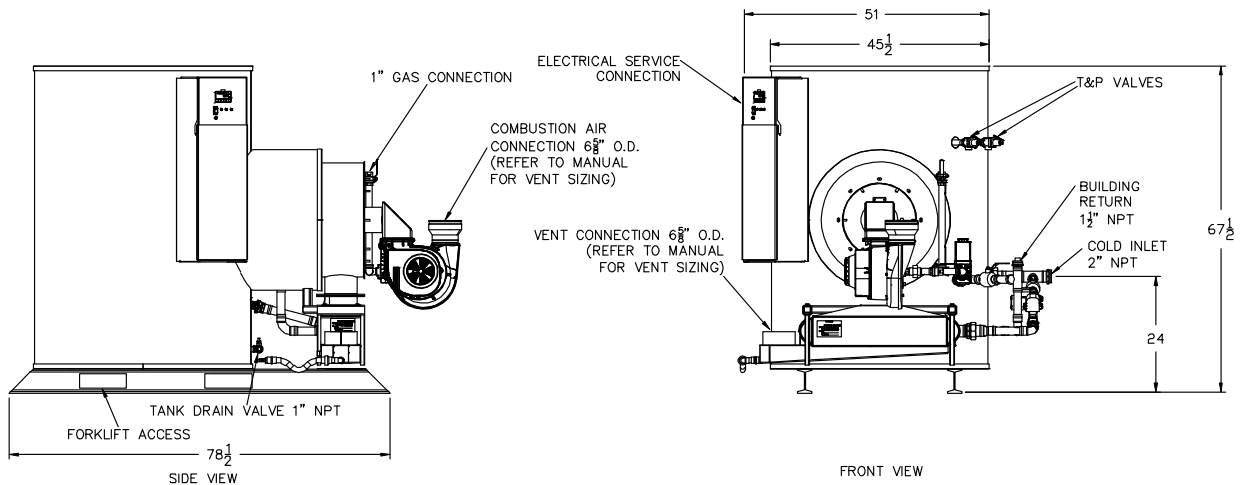
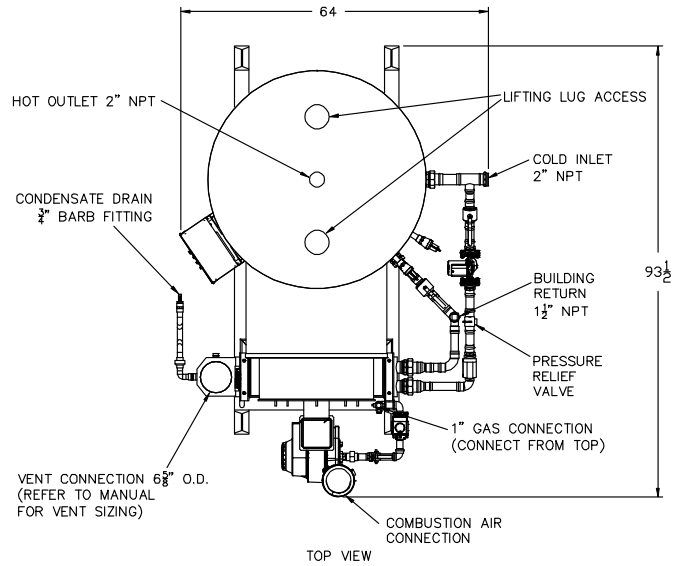
| Model No. 100 L 250A-TPX | |
|--------------------------------------|------------------------------|
| Btu Input | 1,000,000 |
| Recovery GPH 70°F to 140°F ① | 1652 (96% E _T) |
| Recovery GPH 40°F to 140°F | 1175 (97.5% E _T) |
| Storage Capacity - gallons | 250 |
| Gas Pressure Maximum Static | 14" W.C. |
| Gas Pressure Minimum Flow | 3.5" W.C. |
| Amperage (120VAC, 60Hz.) | 11 |
| Max. Inlet Air Duct Length @ 6" dia. | 100 ft. with four 90° ells |
| Max. Vent Length @ 6" dia. ② | 100 ft. with four 90° ells |
| Shipping Weight lbs. | 2060 |

① Per DOE, 10 CFR 431 (ANSI Z21.10.3 @ 70°F to 140°F)

② Listed for category IV venting through PVC, CPVC, polypropylene, or single-wall stainless steel vent
Refer to manual for design requirements
Longer vents available with larger diameter

Dimensions are in inches unless otherwise noted

For standard and optional equipment, refer to form PV 8820



Recommended Service Clearance: 18" from all sides, 12" from the top. Consult factory for heat exchanger pull space requirements.

Minimum Clearances: 6" from all sides and top, 24" from the front.



PVI[®]
A WATTS Brand

PVI Industries, LLC
Fort Worth, TX 76111
www.PVI.com

