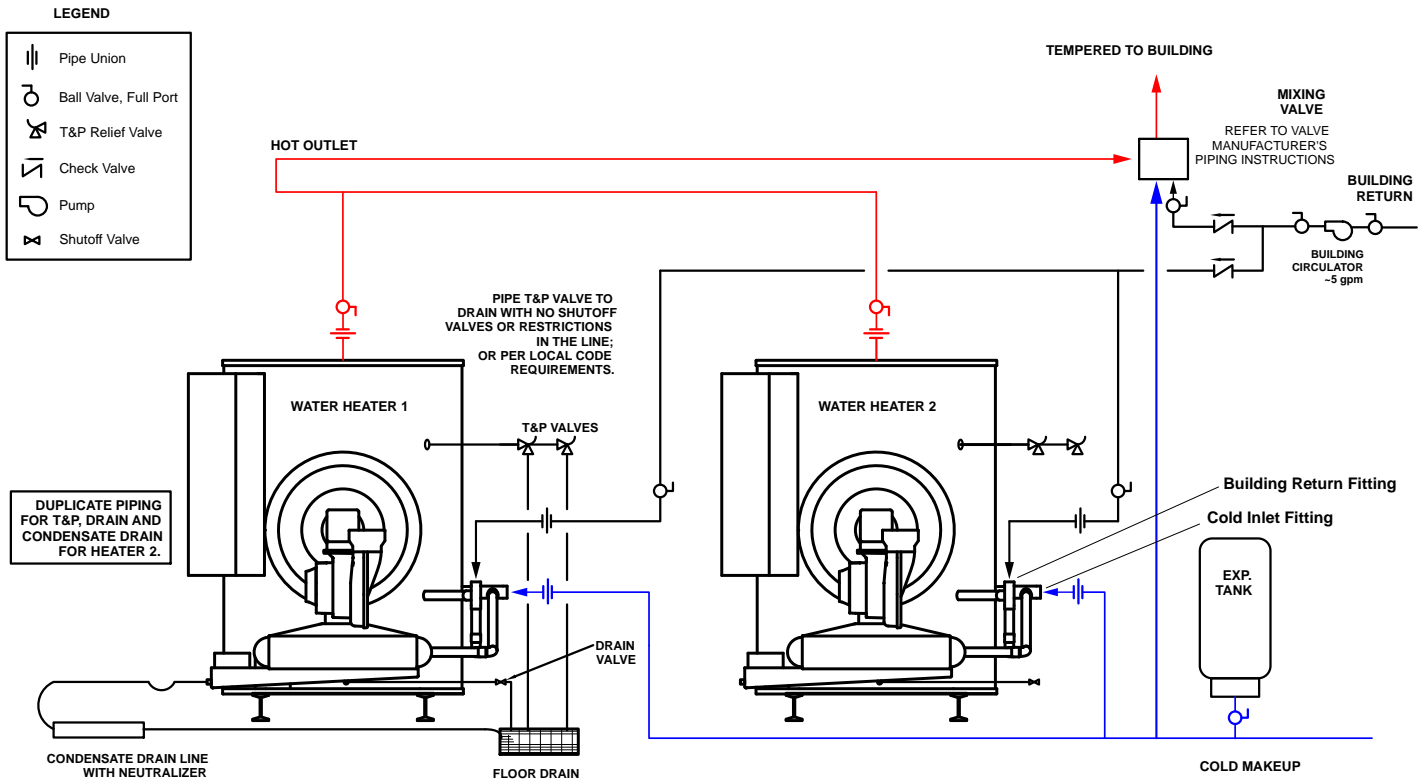


# PIPING GUIDELINE TURBOPOWER® 96 CONDENSING WATER HEATER DUAL WATER HEATERS - REVERSE RETURN PIPING



Size common piping for the maximum anticipated flow at a velocity of no greater than 6 feet per second. Type L copper pipe is recommended. Condensate line can be PVC. Refer to PVI installation manual for complete details.