

TURBOPOWER® 99 - GAS-FIRED CONDENSING WATER HEATER AQUAPLEX® STORAGE TANK (UNLINED DUPLEX ALLOY)

TANK SERIES 425 GALLONS

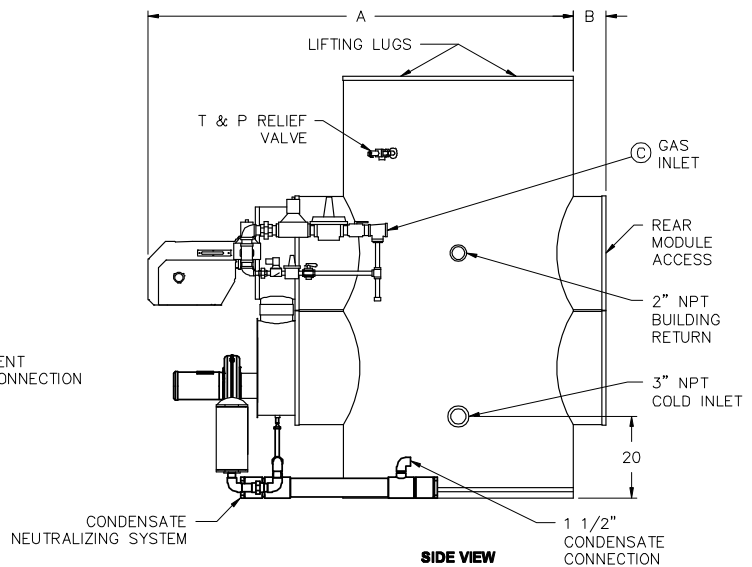
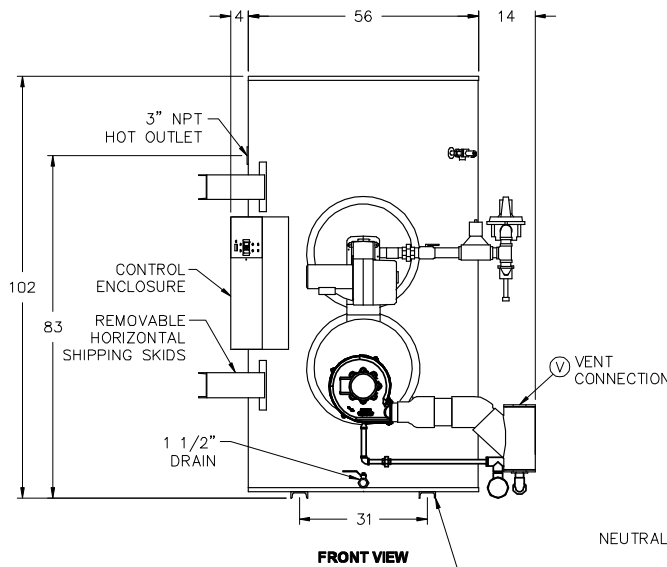
Model Number	Recovery gph (E _T)		Input Btu/h	Min. Inlet Flow Gas Pressure "W.C." ③	Dimensions (inches)			B Rear Access		Total Amps	Shipping Weight lbs
	70°- 140°F ①	40°- 140°F ②			A	C (gas)	V (vent)				
742 L 425A-TP	840 (98%)	594 (99%)	500,000	5.0	85	1	4	optional	8	16 @ 120V, 1Ø	2820
1485 L 425A-TP	1679 (98%)	1187 (99%)	999,000	5.5	92	1-1/4	4	optional	8	16 @ 120V, 1Ø	2995
2228 L 425A-TP	2495 (97%)	1783 (99%)	1,500,000	6.0	111	2	6	standard	16	16 @ 240V, 1Ø	3665
2971 L 425A-TP	3244 (97%)	2317 (99%)	1,950,000	11.0	111	2-1/2	6	standard	16	16 @ 240V, 1Ø	4165

- ① Recoveries and thermal efficiency derived from DOE 10 CFR 431 testing requirements (ANSI Z21.10.3 @ 70°F to 140°F).
- ② Recoveries and efficiency based upon 40°F entering water temperature.
- ③ Standard gas train. The information presented is for natural gas 0.6 S.G. Dimensions are in inches unless otherwise specified. For standard and optional equipment, see form PV 8041.



Performance with direct inlet combustion air option

Model Number	Recovery gph (E _T) 70°- 140°F ①	Recovery gph (E _T) 40°- 140°F ②	Input Btu/h
742 L 425A-TP	798 (98%)	564 (99%)	475,000
1485 L 425A-TP	1597 (98%)	1129 (99%)	950,000
2228 L 425A-TP	2495 (97%)	1783 (99%)	1,500,000
2971 L 425A-TP	3077 (97%)	2199 (99%)	1,850,000



4" X 68" CHANNEL SKIDS (MODEL 742)
4" X 79" CHANNEL SKIDS (MODELS 1485, 2228 & 2971)

GAS PRESSURE REQUIREMENTS

SEE TABLE FOR MINIMUM PRESSURE BY MODEL NUMBER.
MAXIMUM STATIC INLET PRESSURE: 14" W.C.

ELECTRICAL REQUIREMENTS

PRODUCT IS CONFIGURED FOR SINGLE POINT CONNECTION:
FOR PREFIX 742 and 1485 - 120V, 1Ø, 60 HZ.
FOR PREFIX 2228 and 2971 - 240V, 1Ø, 60 HZ.

VENTING REQUIREMENTS

CATEGORY IV - POSITIVE PRESSURE AND CONDENSING
INTERTEK/ETL LISTED FOR PVC VENT, SCH. 40, SOLID-WALL.
ETL, UL, or ULC listed category IV stainless vent is also acceptable.

EXHAUST RATED FOR 100 EQUIVALENT FEET
AT DIAMETER INDICATED IN TABLE.

DIRECT INLET AIR UP TO 100 EQUIVALENT FEET THROUGH
6-INCH DIAMETER DUCT (500 and 999 MBH)
8-INCH DIAMETER DUCT (1500 and 1950 MBH)
Vent cap to terminate the direct air duct must be supplied by PVI.

FOR LONGER DISTANCES, CONSULT FACTORY.

PVI reserves the right to change the design and specification without notice.



PVI Industries, LLC
Fort Worth, TX • (800) 784-8326 • www.pvi.com