

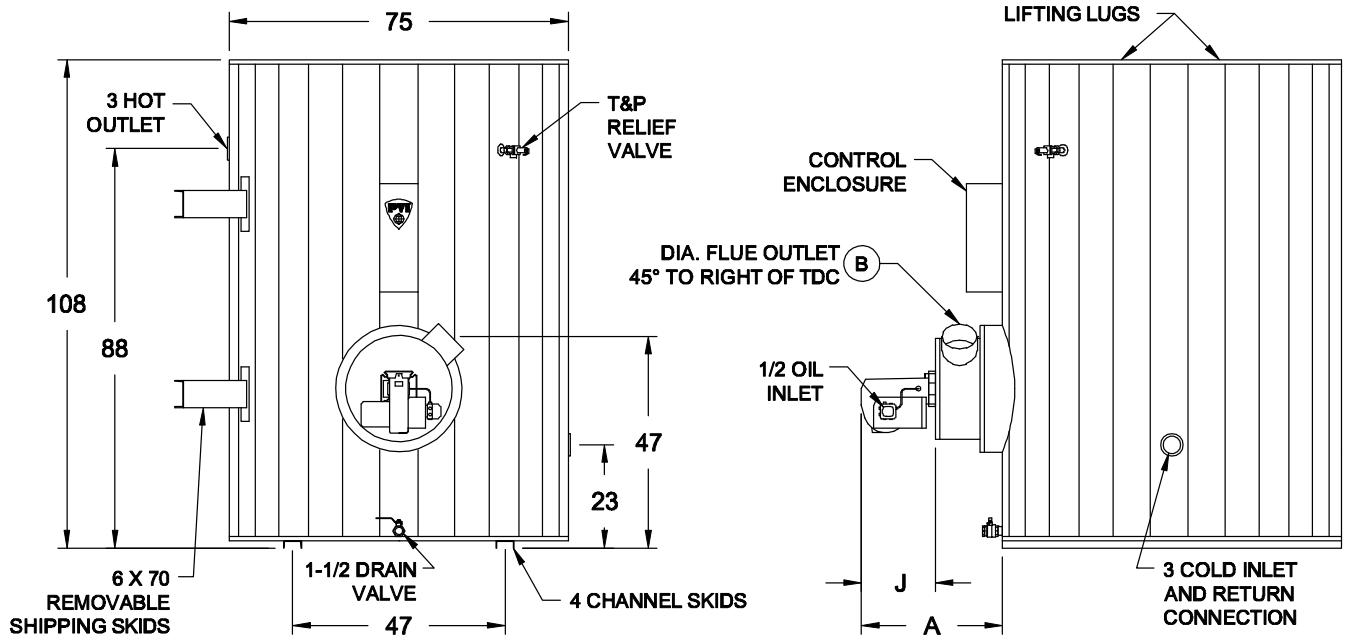
# TURBOPOWER® OIL • PACKAGED WATER HEATER

## AquaPLEX® STORAGE TANK (UNLINED DUPLEX ALLOY)

### TANK SERIES 1500 GALLONS

Model Number	Recovery gph ①		Input Btu/h	Gph #2 Oil	Max. oil gph (gear capacity) ③	Dimensions (inches)			Blower Motor		Shipping Weight lbs
	40°- 120°F	40°- 140°F				A	B	J ②	HP	Volt/Ph/Amps	
500 L 1500A-TPO	500	400	399,000	2.8	70	29	5	17	1/2	115/1Ø/10	3665
750 L 1500A-TPO	750	600	600,000	4.3	70	31	6	17	1/2	115/1Ø/10	3745
1000 L 1500A-TPO	1000	800	800,000	5.7	70	31	8	17	1/2	115/1Ø/10	3785
1250 L 1500A-TPO	1250	1000	1,000,000	7.2	70	31	8	17	1/2	115/1Ø/10	4025
1500 L 1500A-TPO	1500	1200	1,200,000	8.6	70	31	8	17	1/2	115/1Ø/10	4035

- ① Recoveries based on 83% thermal efficiency. ASHRAE 90.1 compliant for efficiency and standby loss. Do not use flue outlet size to determine vent system size. For proper sizing, consult venting supplier.
- ② "J" dimension is for the burner housing only.
- ③ Standard gear capacities may change depending on burner supplier. Designer must use gear capacities from the above chart to size the oil distribution piping system; including transfer pumps (if used). Dimensions are in inches unless otherwise specified. For standard and optional equipment, see form PV 8166.



**VENTING REQUIREMENTS**

-.02" TO -.06" W.C. (NEGATIVE PRESSURE)

*ENTIRE VENT SYSTEM SHOULD NEVER BE SIZED BASED UPON THE VENT CONNECTION DIAMETER EXCLUSIVELY. FOR PROPER SIZING, CONSULT VENTING SUPPLIER.*

**STANDARD ELECTRICAL REQUIREMENTS**

CONTROL VOLTAGE: 120V, 1Ø, 60 HZ., 2 AMPS.  
 MOTOR VOLTAGE:  
 208V, 230V, AND 460V MOTORS ARE AVAILABLE BUT WILL REQUIRE A SEPARATE 120V/2 amps CONTROL CIRCUIT OR AN OPTIONAL CONTROL CIRCUIT TRANSFORMER.

**PVI RESERVES THE RIGHT TO CHANGE THE DESIGN AND SPECIFICATION WITHOUT NOTICE.**

