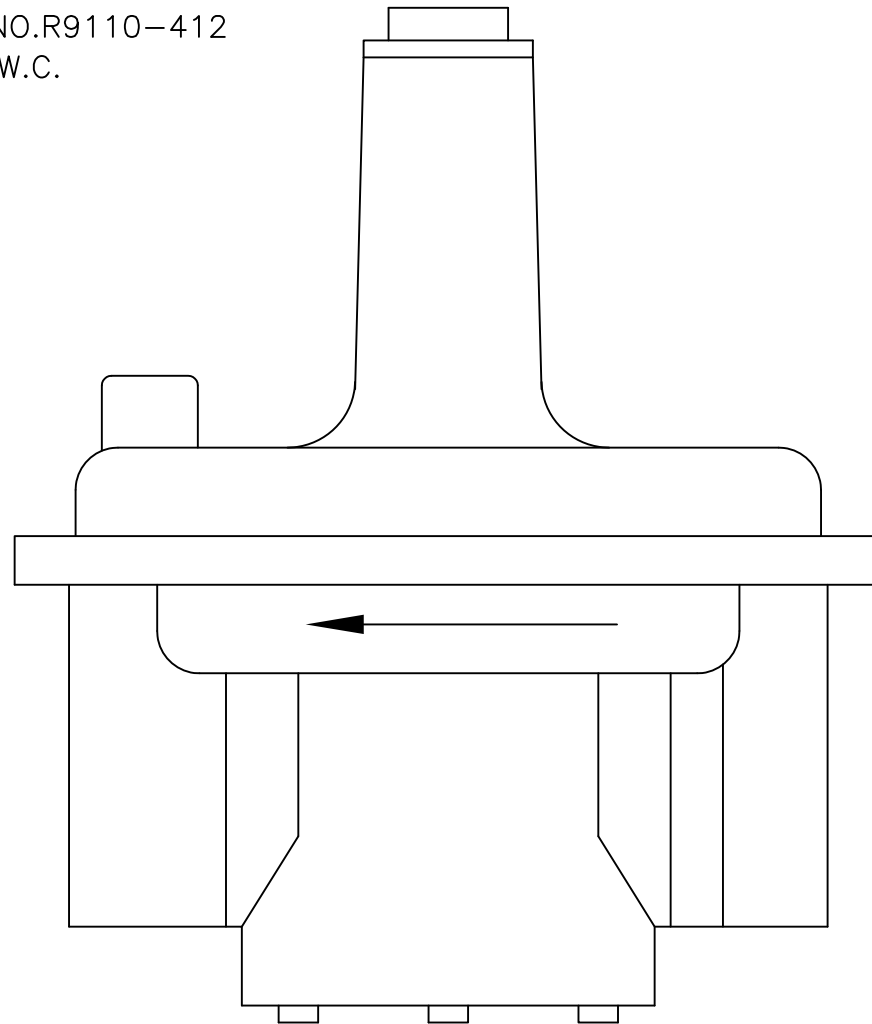


2"-NPT GAS REGULATOR
MAXITROL CO.
RV-91 W/VIOLET SPRING PT.NO.R9110-412
OUTLET PRESS. 4.0-12 IN. W.C.



NOTES:

- 1) OUTLET PRESSURE MUST BE SHOWN ON TOP OF REGULATOR.
- 2) CAN ONLY BE INSTALLED IN HORIZONTAL POSITION.



PVI INDUSTRIES
FORT WORTH, TEXAS

PART #:123628C
EXTERNAL 2" NPT
GAS REGULATOR

DWN.BY K.S. DATE 042723
SCALE NTS
REV.BY _____ DATE _____

SD-P-1268

REV.
A