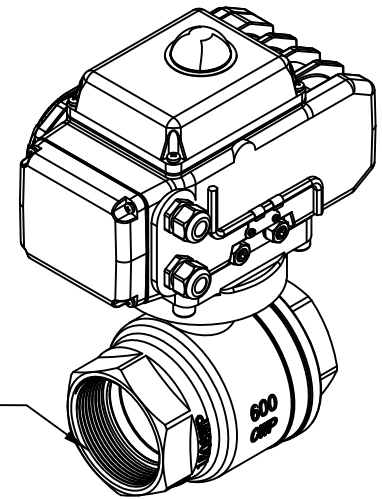
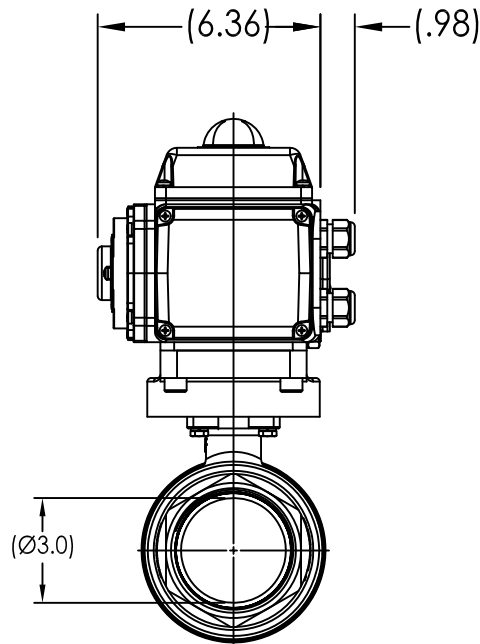
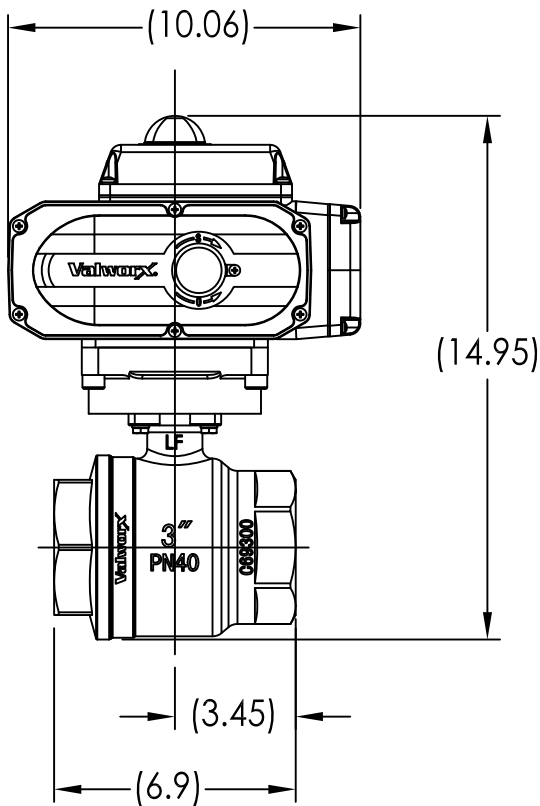



SPECIFICATIONS

PVI PART # 92154
 VALVE WITH HIGH TEMPERATURE MOUNTING KIT
 PRESSURE RATING: 300 PSI CWP NON-SHOCK
 MEDIA WORKING TEMP: 0 TO 266°F
 24VDC ELECTRIC ACTUATED LEAD FREE BRASS BALL VALVE
 ACTUATOR LISTED PER UL429
 VALVE CERTIFIED NSF372 & NSF61
 EPS POSITIONER 4-20 mA INPUT
 CYCLE TIME/90 : 30 SECONDS
 FAIL OPEN FOR LOSS OF INPUT COMMAND SIGNAL



3" NPT, 8 THREADS PER INCH
 (BOTH ENDS)



	PVI INDUSTRIES FORT WORTH, TEXAS	
	3" NPT SEQUENCING ISOLATION BALL VALVE	
DWN.BY <u>K.S.</u> DATE <u>042723</u> SCALE <u>NTS</u> REV.BY _____ DATE _____	SD-P-1271	REV. A