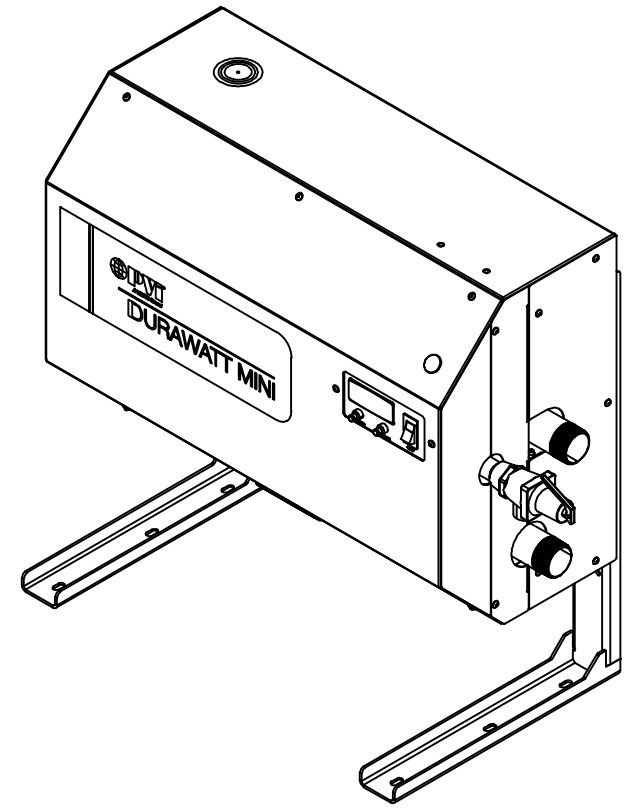



MOUNTING HOLE LOCATIONS



NOTES:
 1. ALL DIMENSIONS SHOWN ARE IN INCHES [MILLIMETERS].
 2. UNIT TO BE MOUNTED VERTICALLY ON A SOLID WALL.

		PVI INDUSTRIES FORT WORTH, TEXAS	
TITLE SINGLE DURAWATT MINI WITH STAND CLEARANCE & DIMENSIONAL DRAWING			
DWN.BY	K.S.	DATE	031326
SCALE	NTS		DWG. NO. AP-P-1119
REV.BY	DATE		SHEET 1 OF 1
			A