

# DURAWATT® ELECTRIC • PACKAGED WATER HEATER

## AquaPLEX® - STORAGE TANK (UNLINED DUPLEX ALLOY)

### TANK SERIES 119 GALLONS

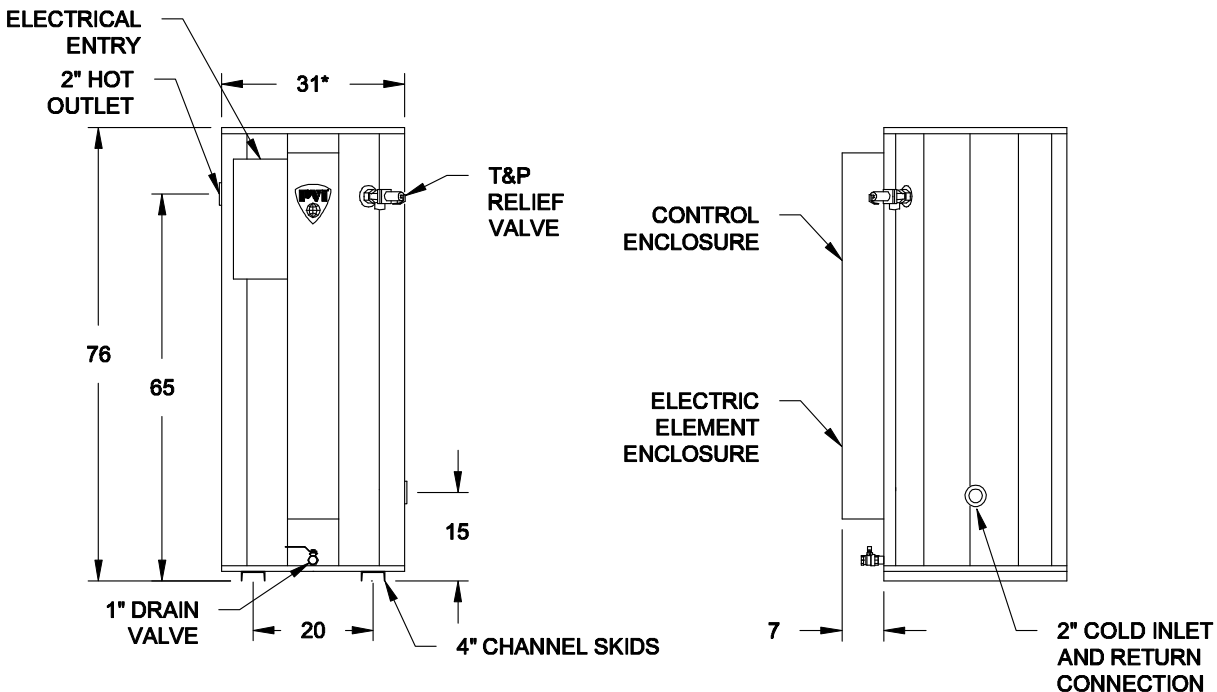
MODEL NUMBER	RECOVERY RATE GPH		INPUT kW	ELEMENT AMPS **			SHIPPING WEIGHT lbs
	40°-120°F	40°-140°F		240V, 1Ø	240V, 3Ø	480V, 3Ø	
90 L 119A-VE	90	70	18	75	44	22	800
140 L 119A-VE	140	111	27	113	65	33	800
180 L 119A-VE	180	150	36	150	87	44	800
230 L 119A-VE	230	184	45	188	109	55	810
270 L 119A-VE	270	220	54	225	130	65	810
320 L 119A-VE	320	256	63	263	152	76	810
370 L 119A-VE	370	300	72	300	174	87	810
410 L 119A-VE	410	330	81	338	195	98	820
460 L 119A-VE	460	370	90	375	217	109	820
510 L 119A-VE	510	400	99	413	239	120	840
550 L 119A-VE	550	440	108	450	260	130	840
650 L 119A-VE	650	515	126	Consult factory	304	152	850
740 L 119A-VE	740	590	144		347	174	870
830 L 119A-VE	830	664	162		390	195	880
920 L 119A-VE	920	737	180		433	217	890
1010 L 119A-VE	1010	811	198		476	238	900
1100 L 119A-VE	1100	885	216		520	260	910
1200 L 119A-VE	1200	958	235		563	281	920

For standard and optional equipment, see form #PV 8130.  
Dimensions in inches, unless otherwise noted.

Contact PVI representative for higher inputs.

\* Optional proportional sequencer (PRSEQ) adds 2 inches to the left side of the heater.

\*\* For 208V 3Ø models, see PV 9030.



#### STANDARD ELECTRICAL REQUIREMENTS:

CONTROL CIRCUIT TRANSFORMER SUPPLIED ON 480V ONLY. TAPPED CONTROL CIRCUIT INTERNALLY WIRED FOR 208V AND 240V.

208V AND 240V MODELS REQUIRE AC NEUTRAL CONDUCTOR FOR GROUNDING OF CONTROL CIRCUIT.

ALTERNATE VOLTAGES: FOR 230/460V, MULTIPLY kW AND RECOVERY BY .92. MULTIPLY AMPS BY .96.

FOR 220/440V, MULTIPLY kW AND RECOVERY BY .84. MULTIPLY AMPS BY .92.