

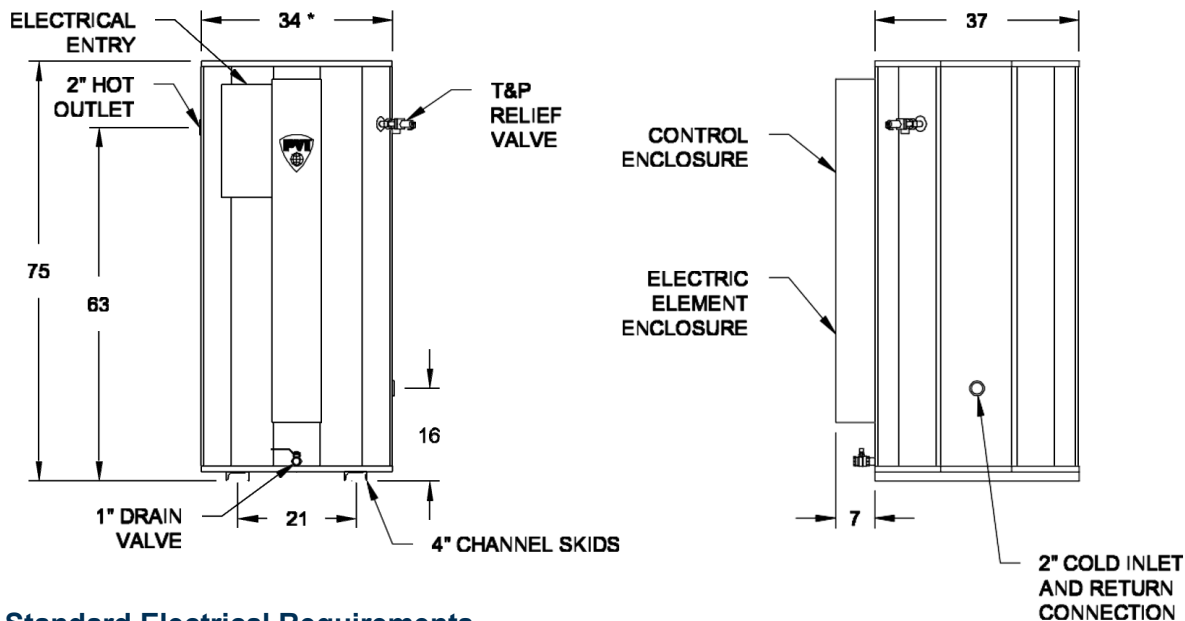
Durawatt® Electric, Packaged Water Heater

Tank Series 200 Gal • AquaPLEX® Duplex Stainless Steel

Model Number	Recovery Rate GPH		Input kW	Element AMPS**			Shipping Weight lbs
	40°-120°F	40°-140°F		240V, 1Ø	240V, 3Ø	480V, 3Ø	
45 L 200A-VE	45	37	9*	–	22	11	1100
90 L 200A-VE	90	70	18	75	44	22	1100
140 L 200A-VE	140	111	27	113	65	33	1100
180 L 200A-VE	180	150	36	150	87	44	1100
230 L 200A-VE	230	184	45	188	109	55	1110
270 L 200A-VE	270	220	54	225	130	65	1110
320 L 200A-VE	320	256	63	263	152	76	1110
370 L 200A-VE	370	300	72	300	174	87	1110
410 L 200A-VE	410	330	81	338	195	98	1120
460 L 200A-VE	460	370	90	375	217	109	1120
510 L 200A-VE	510	400	99	413	239	120	1140
550 L 200A-VE	550	440	108	450	260	130	1140
650 L 200A-VE	650	515	126	Consult factory	304	152	1150
740 L 200A-VE	740	590	144		347	174	1170
830 L 200A-VE	830	664	162		390	195	1180
920 L 200A-VE	920	737	180		433	217	1190
1010 L 200A-VE	1010	811	198		476	238	1200
1100 L 200A-VE	1100	885	216		520	260	1210
1200 L 200A-VE	1200	958	235		563	281	1220

ASHRAE 90.1 compliant. For standard and optional equipment, see form # PV 8130. Dimensions in inches, unless otherwise noted. Contact PVI representative for higher inputs.

* 3-phase only. ** For 208V 3Ø models, see PV 9032. Add 2 amps for the control circuit.



Standard Electrical Requirements

Control circuit transformer supplied on 480V only. A separate 120V circuit is required for controls on 208V and 240V or add a field wired control circuit and AC neutral conductor for grounding.

Alternate Voltages:

For 230/460V, multiply kW and recovery by .92. multiply AMPS by .96.
For 220/440V, multiply kW and recovery by .84. multiply AMPS by .92.



PVI reserves the right to change the design and specification without notice.

Hot Water Solutions

PVI Industries • Fort Worth, TX

© 2023 PVI