

DigiTemp[®]

Light Commercial

Digital Water Tempering System



Features

- Programmable set point range 60-180°F for wide range of temperature
- Lead Free* construction to comply with lead free* installation requirement
- 3.5" full-color, user-selectable touch screen display
- High temperature sanitization mode to address water born bacteria
- In case of power failure, valve flows full cold for safety
- Configurable on location. Does not require factory pre-programming, lap top or special software
- Control module support BAS (Building Automation System) communication with BACnet MSTP and Modbus protocols. It is native to the unit and does not require an add on module
- Mixed outlet temperature can be adjusted/monitored at the valve or remotely by BAS (Building Automation System)
- Includes single operating sensor for a mixed outlet temperature reading
- Pass code protected for security
- Programmable hi/lo temperature alert
- Programmable schedule for setback of temperature
- Real time clock for time stamping of error messages
- Control water temperature $\pm 2^{\circ}\text{F}$ in accordance with ASSE 1017
- Wi-Fi enable for software upgrades

Notice

The information contained herein is not intended to replace the full product installation and safety information available or the experience of a trained product installer. You are required to thoroughly read all installation instructions and product safety information before beginning the installation of this product.

*The wetted surface of this product contacted by consumable water contains less than 0.25% of lead by weight.

**With equal pressure

***Minimum flow when DigiTemp is installed at or near hot water source recirculating tempered water with a properly sized continuously operating recirculating pump.

****low limit cannot be less than the cold water temperature. For best operation, hot water should be at least 2°F above desired set point.

Flow Capacity at 50-50 Mixed Ratio

Model	Minimum System Draw	Pressure Drop Across Valve				
		C_v	5 psi (34 kPa)	10 psi (69 kPa)	20 psi (138 kPa)	Max. Flow @ 7.5 ft/sec (2.3 m/sec)
V23	0.5 gpm	7.3	16 gpm 61 lpm	23 gpm 87 lpm	32 gpm 125 lpm	11.5 gpm 44 lpm
V55	0.5 gpm	17.5	39 gpm 148 lpm	55 gpm 208 lpm	78 gpm 295 lpm	29 gpm 110 lpm

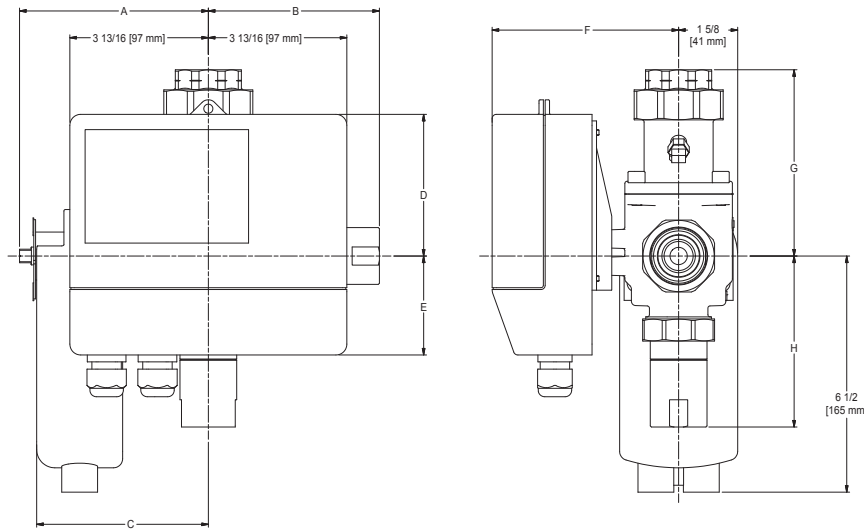
*With a properly sized pump

Specifications

Max Operating Pressure 200psi (1379kPa)
 Max Hot Water Temperature 200°F (93°C)
 Min Hot Water Supply Temp ... 2°F (1°C) above set pt
 Hot Water Inlet Temp Range 120-180°F (49-82°C)
 Cold Water Inlet Range 39-60°F (4-16°C)
 Min Flow 0.5 gpm (1.89 lpm)

Temp Adjustment Range 60-180°F (16-82°C)
 Listing /Compliance ASSE 1017,cUPC,
 NSF, CSA 24/UL873, CE
 WeightV23 13lb (6kg) / V55 17lb (8kg)
 Power115-230 V (ac) ± 10%, 50/60 Hz, 20 VA
 Actuator Load 24 V (dc), 0.55 A, 13 W

Dimensions



Model	Inlets	Outlet	A	B	C	D	E	F	G	H
V23	3/4" (20 mm)	3/4" (20 mm)	4 7/8" (123 mm)	4 1/16" (103 mm)	4 3/8" (110 mm)	4 1/16" (103 mm)	2 9/16" (66 mm)	4 3/4" (120 mm)	4 5/16" (110 mm)	4 1/8" (105 mm)
V55	1" (25 mm)	1 1/4" (32 mm)	5 3/16" (132 mm)	4 11/16" (120 mm)	4 3/4" (120 mm)	3 7/8" (99 mm)	2 3/4" (69 mm)	5 1/8" (130 mm)	5 1/8" (130 mm)	4 11/16" (120 mm)

Ordering Information

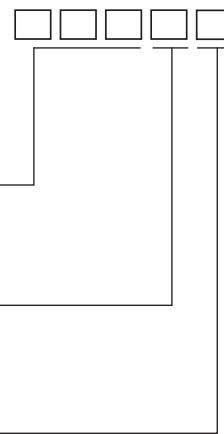
Valve	Inlets (in)	Outlet (in)	Order Code
V23	3/4"	3/4"	V23
V55	1"	1 1/4"	V55

Cabinets
 Exposed no cabinets
 Stainless Steel, Wall Mounted
 Painted, Wall Mounted

View Port
 None
 Window

N
 S
 P

N
 W



Sample Specification

Lead free* digital water temperature control and monitoring system shall feature 3.5" full-color touchscreen interface which is configurable on location and does not require factory pre-programming. System shall control water temperature to $\pm 2^{\circ}\text{F}$ in accordance with ASSE 1017 and resist "temperature creep" during periods of low/zero demand. Controller shall be password protected and feature a user-adjustable outlet temperature range of 60-180°F with high and low temperature alerts, and an approach temperature of 2°F.

System shall digitally control and monitor mixed outlet temperature. Controller shall integrate with building automation systems (separate module not required) through BACnet and Modbus protocols and feature local and remote temperature alarms. System will feature a user-set, high-temperature sanitization mode for thermal disinfection of bacteria and a programmable temperature set back feature to improve energy efficiency. System will also feature high speed actuator with override feature. In the event of a power failure, system will open full cold supply. In case of a loss of cold water, the system will close hot water supply.

System shall be listed/approved to ASSE 1017, cUPC, NSF, CSA 24/UL873

System shall be a PVI V23 or V55.

Warning

DigiTemp system provides user-directed control and monitoring of water distribution systems. It is the user's responsibility to select and maintain water temperatures that are safe and appropriate for the water system users and facility. DigiTemp system's Sanitization mode is intended for use as part of a user-directed, controlled and supervised protocol that has been safely and properly designed. It is recommended to install the DigiTemp system as part of a ASSE compliant water distribution system, including point-of-use mixings valves. Installation and adjustment of the DigiTemp system are the responsibility of the owner and installer and must be done by qualified personnel in accordance with the manufacturer's instructions, and complying with all governmental requirements, building and construction codes and standards. The owner and user of the DigiTemp system is responsible for selecting and installing the product in an appropriate water distribution system, proper sizing, maintaining proper water quality/condition, and deciding what temperature is safe and appropriate for the water distribution users and facility. Always read and follow User Guide & Instruction Manual and all product warnings and labels, and comply with all governmental and safety requirements.

Notice

A copy of the applicable limited warranty and disclaimers is available by request to pvi.com.



T: (817) 335-9531 | Toll Free: (800) 784-8326 | PVI.com