

# DURAWATT® ELECTRIC • PACKAGED WATER HEATER

## AquaPLEX® - STORAGE TANK (UNLINED DUPLEX ALLOY)

### TANK SERIES 119 GALLONS - 208V, 3Ø

MODEL NUMBER	RECOVERY RATE GPH		INPUT kW	ELEMENT AMPS **	SHIPPING WEIGHT lbs
	40°-120°F	40°-140°F		208V, 3Ø	
90 L 119A-VE	90	70	18	50	800
140 L 119A-VE	140	111	27	75	800
180 L 119A-VE	180	150	36	100	800
230 L 119A-VE	230	184	45	125	810
270 L 119A-VE	270	220	54	150	810
320 L 119A-VE	320	256	63	175	810
370 L 119A-VE	370	300	72	200	810
410 L 119A-VE	410	325	80	222	820
460 L 119A-VE	460	368	90	251	820
510 L 119A-VE	510	405	99	276	840
540 L 119A-VE	540	430	105	292	840
610 L 119A-VE	610	491	120	334	850
690 L 119A-VE	690	552	135	376	870
770 L 119A-VE	770	614	150	417	880
840 L 119A-VE	840	675	165	459	890
920 L 119A-VE	920	736	180	501	900

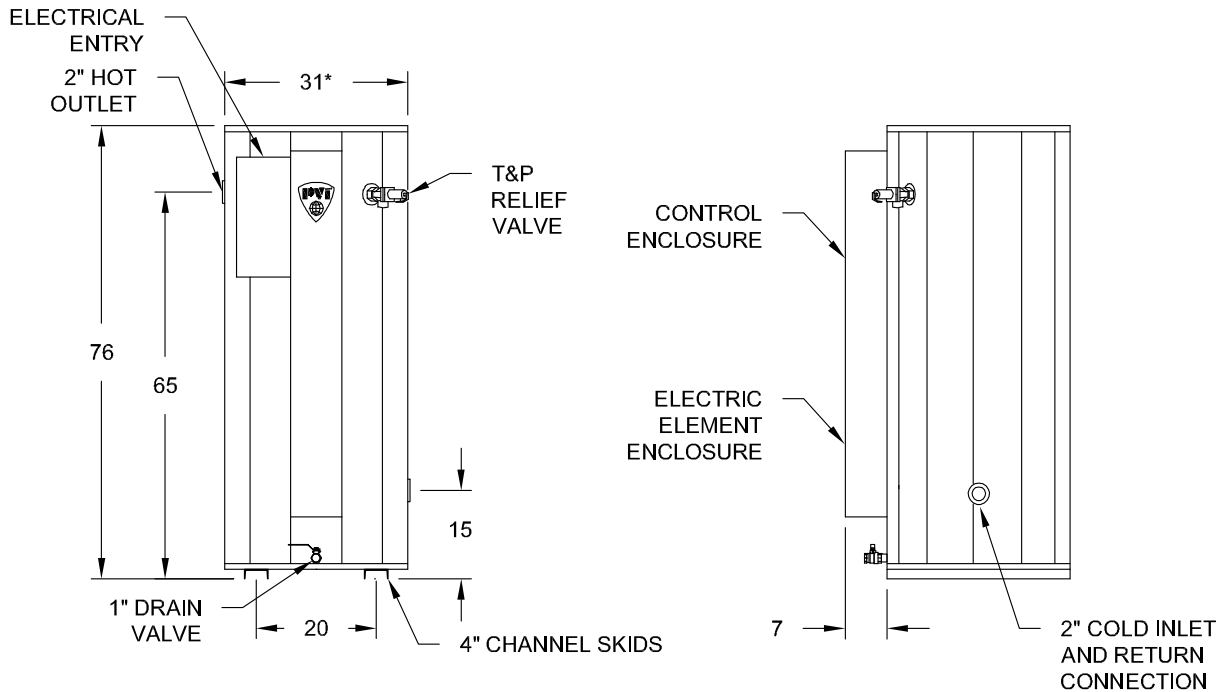
For standard and optional equipment, see form #PV 8130.

Dimensions in inches, unless otherwise noted.

Contact PVI representative for higher inputs.

\* Optional proportional sequencer (PRSEQ) adds 2 inches to the left side of the heater.

\*\* For other voltages, see PV 8675.



#### STANDARD ELECTRICAL REQUIREMENTS:

CONTROL CIRCUIT TRANSFORMER SUPPLIED ON 480V ONLY. TAPPED CONTROL CIRCUIT INTERNALLY WIRED FOR 208V AND 240V.

208V AND 240V MODELS REQUIRE AC NEUTRAL CONDUCTOR FOR GROUNDING OF CONTROL CIRCUIT.

**ALTERNATE VOLTAGES:** FOR 230/460V, MULTIPLY kW AND RECOVERY BY .92. MULTIPLY AMPS BY .96.

FOR 220/440V, MULTIPLY kW AND RECOVERY BY .84. MULTIPLY AMPS BY .92.