

DURAWATT® ELECTRIC • PACKAGED WATER HEATER

AquaPLEX® - STORAGE TANK (UNLINED DUPLEX ALLOY)

TANK SERIES 200 GALLONS - 208V, 3Ø

MODEL NUMBER	RECOVERY RATE GPH		INPUT kW	ELEMENT AMPS **	SHIPPING WEIGHT lbs
	40°-120°F	40°-140°F		208V, 3Ø	
45 L 200A-VE	45	37	9	25	1100
90 L 200A-VE	90	70	18	50	1100
140 L 200A-VE	140	111	27	75	1100
180 L 200A-VE	180	150	36	100	1100
230 L 200A-VE	230	184	45	125	1110
270 L 200A-VE	270	220	54	150	1110
320 L 200A-VE	320	256	63	175	1110
370 L 200A-VE	370	300	72	200	1110
410 L 200A-VE	410	325	80	222	1120
460 L 200A-VE	460	368	90	251	1120
510 L 200A-VE	510	405	99	276	1140
540 L 200A-VE	540	430	105	292	1140
610 L 200A-VE	610	491	120	334	1150
690 L 200A-VE	690	552	135	376	1160
770 L 200A-VE	770	614	150	417	1170
840 L 200A-VE	840	675	165	459	1180
920 L 200A-VE	920	736	180	501	1190

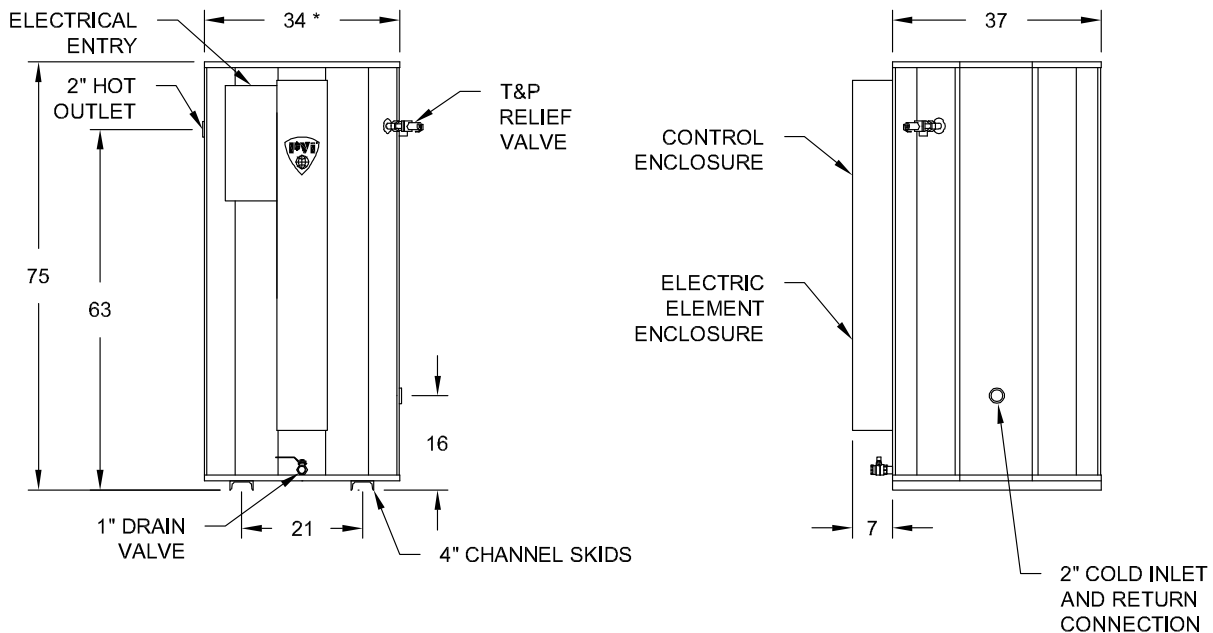
ASHRAE 90.1 compliant.

For standard and optional equipment, see form # PV 8130.

Dimensions in inches, unless otherwise noted.

Contact PVI representative for higher inputs.

** For other voltages, see PV 8445.



STANDARD ELECTRICAL REQUIREMENTS:

CONTROL CIRCUIT TRANSFORMER SUPPLIED ON 480V ONLY. TAPPED CONTROL CIRCUIT INTERNALLY WIRED FOR 208V AND 240V.

208V AND 240V MODELS REQUIRE AC NEUTRAL CONDUCTOR FOR GROUNDING OF CONTROL CIRCUIT.

ALTERNATE VOLTAGES: FOR 230/460V, MULTIPLY kW AND RECOVERY BY .92. MULTIPLY AMPS BY .96.

FOR 220/440V, MULTIPLY kW AND RECOVERY BY .84. MULTIPLY AMPS BY .92.